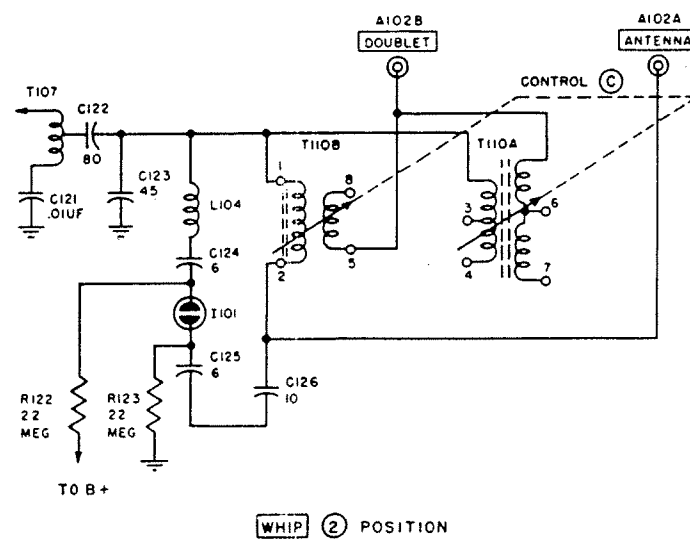
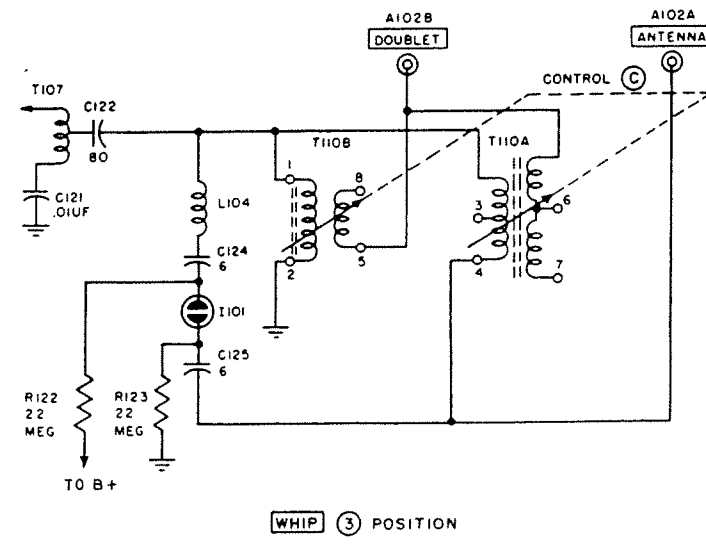


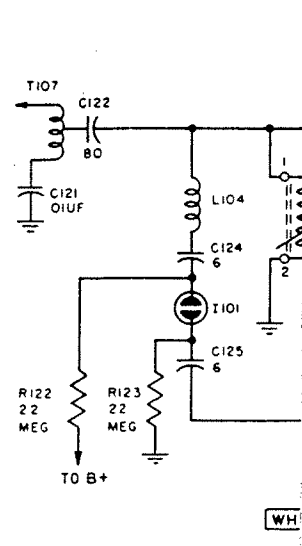
WHIP ① POSITION



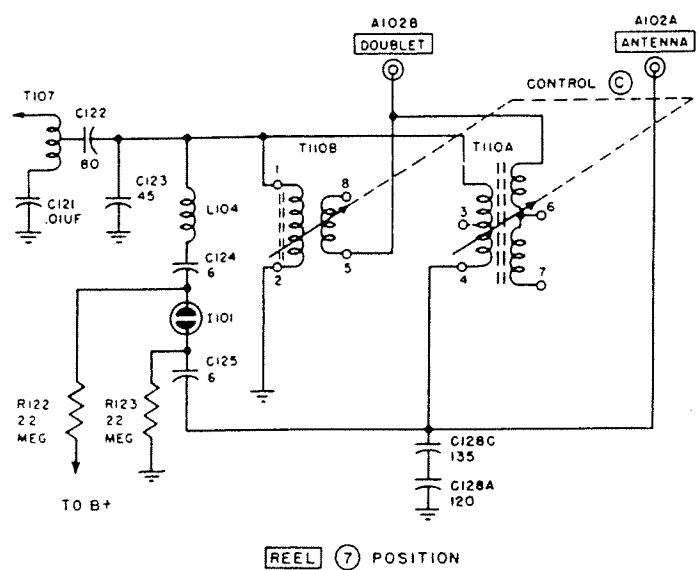
WHIP ② POSITION



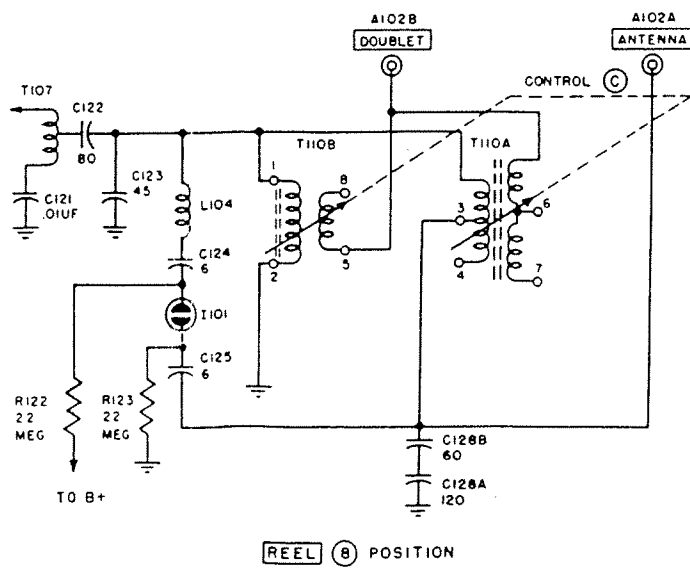
WHIP ③ POSITION



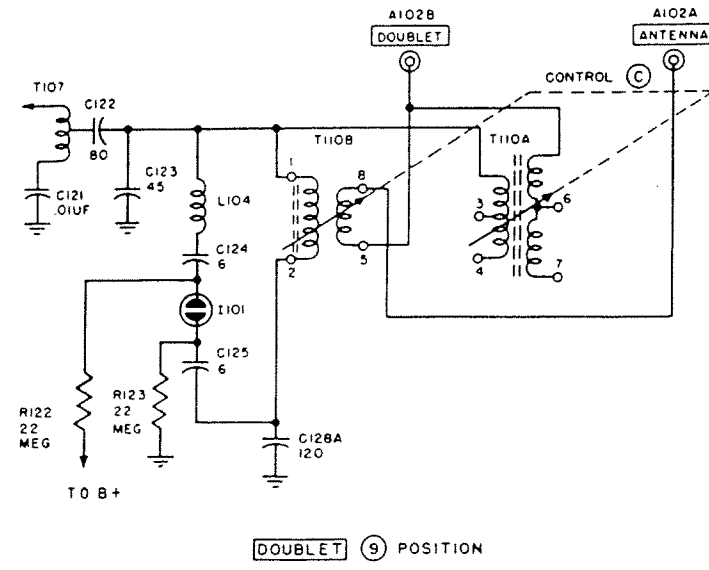
WHIP ④ POSITION



REEL ⑦ POSITION



REEL ⑧ POSITION



DOUBLET ⑨ POSITION

96

Figure 77. Antenna switching and tuning circuits for transmitter, simplified schematic for positions of switch S102.